

If you have a highly concentrated reader layout that requires Ethernet connectivity or the need to upgrade from an existing SEA-8 controller platform, the Multi-netx is your best choice. It provides support for up to eight (8) Smarteye readers and is totally downward compatible with its SEA-8 predecessor...it even fits in the same NEMA-12 enclosure. This allows a seamless upgrade of old SEA-8 controllers leaving all the existing Smarteye reader equipment and wiring in place. As with all Smarteye products, the Multi-netx's rugged and compact packaging is designed to withstand the harshest material handling environments.



## Product Features

### Supports Standard Smarteye Readers

- ◆ SP1050 Sender/Receiver Series

### Status Indicators

- ◆ 24V and 3.3V Power LEDs
- ◆ Transmit and receive LEDs for each communication port

### Reader Inputs (8)

- ◆ Optically isolated signals
- ◆ Plug-in spring clamp terminal connections
- ◆ Reader may be located up to 1500' away using Belden 9773 cable or equivalent

### Ethernet Control Port

- ◆ 10BASE-T Ethernet interface RJ45
- ◆ Client or server functionality selectable
- ◆ Selectable handshake/poll mode
- ◆ Link and Activity LEDs

### Network Capability

- ◆ Configurable using standard web browser
- ◆ Built-in HTML based history viewer, for label reads, error codes, and diagnostic messages
- ◆ Supports DHCP for automatic IP address

- ◆ Supports time server for automatic on board chronometer synchronization
- ◆ Compatible with SEA-8 and Twin message protocols

### Serial Control Port

- ◆ Selectable RS232/485
- ◆ Selectable baud rate up to 57.6K baud
- ◆ Selectable odd parity/no parity
- ◆ Selectable handshake/poll mode
- ◆ Switches for line termination and passive biasing
- ◆ Plug-in spring clamp connections

### Auxiliary Serial Port

- ◆ RS232 (up to 50' point-to-point)
- ◆ Selectable baud rate up to 57.6K baud
- ◆ Selectable odd parity/no parity
- ◆ Control port monitoring of labels, errors, diagnostics, and messages in and out
- ◆ Configuration of Multi-netx set-up parameters
- ◆ Standard 9 pin D-shell connection

**Environmental Specifications**

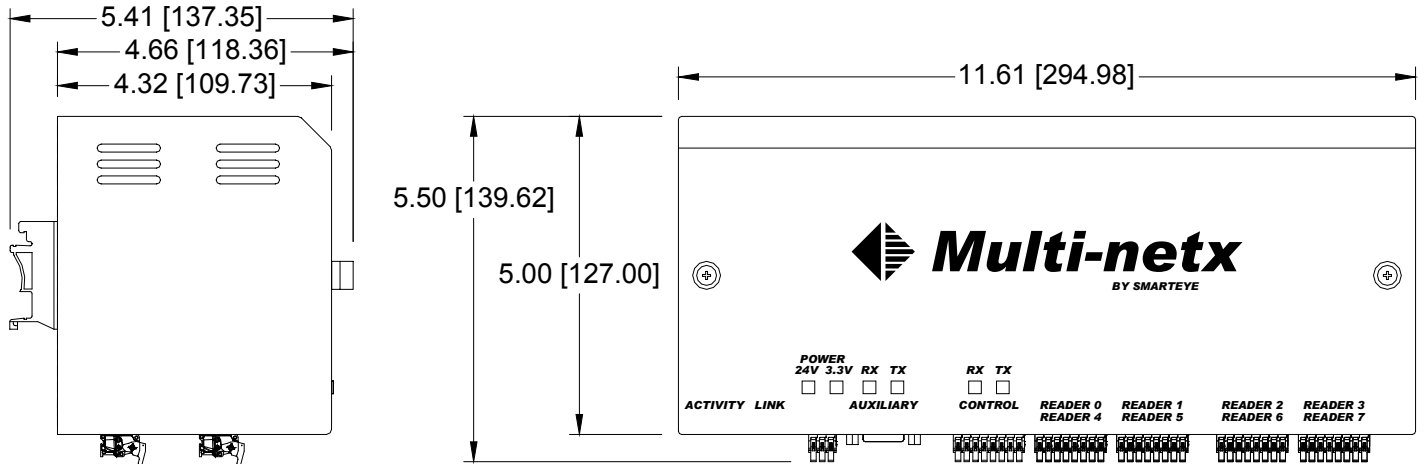
- ◆ Operating temperature: 0-60 °C
- ◆ Humidity: 95% non-condensing

**Power Requirements**

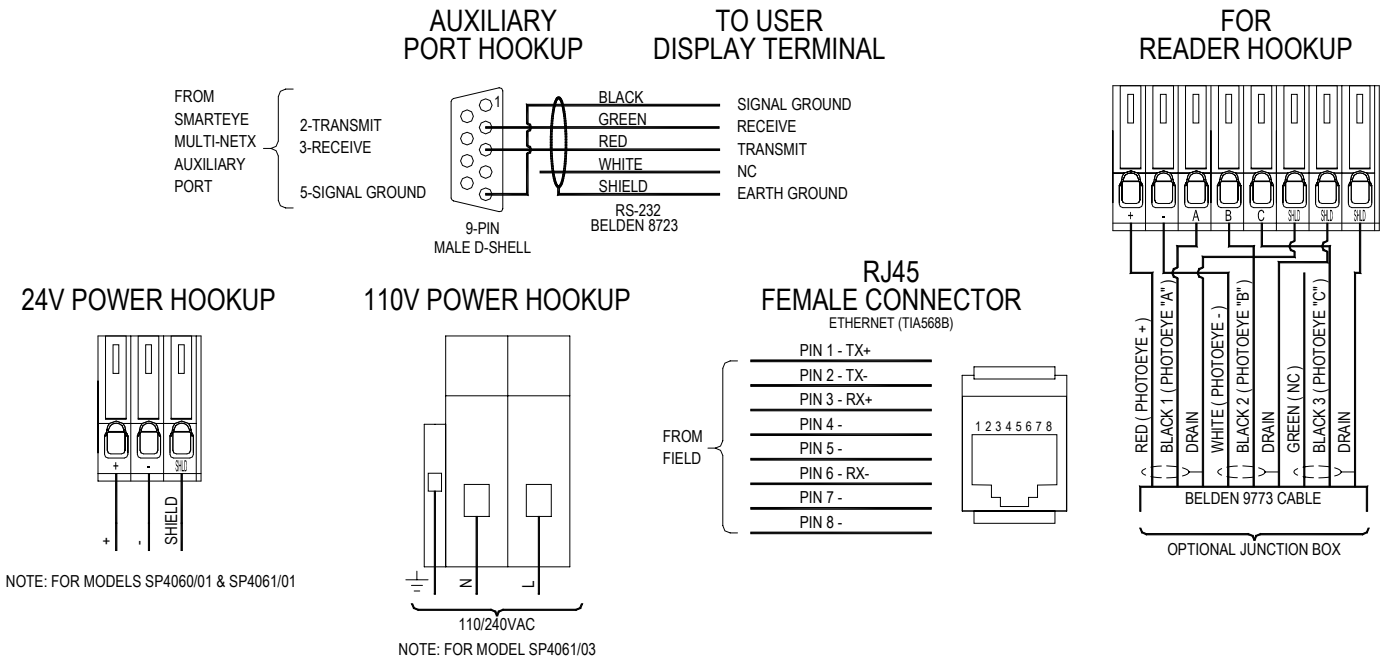
- ◆ 28W @ 24VDC

**Models Available**

- ◆ SP4060/01 DIN rail mount, 24VDC power
- ◆ SP4061/01 NEMA-12, 24VDC power
- ◆ SP4061/03 NEMA-12, 110/220VAC
- ◆ SP4062/01 SEA-8 Upgrade Kit



Electrical Interconnections



NOTE: FOR MODELS SP4060/01 & SP4061/01

NOTE: FOR MODEL SP4061/03