

When your Smarteye solution calls for Ethernet connectivity with a reader layout that is arranged in small clusters...the T-netx is for you. The dual port, T-netx, allows for a single Ethernet network connection supporting two (2) Smarteye readers. It can optionally be powered via a 802.3af compliant Power-over-Ethernet (PoE) connection simplifying integration while *dramatically* reducing installation costs. As with all Smarteye products, the T-netx's rugged and compact packaging is designed to withstand the harshest material handling environments.



Product Features

Supports Standard Smarteye Readers

- ◆ SP1050 Sender/Receiver Series

Status Indicators

- ◆ 24V and 3.3V Power LEDs
- ◆ Transmit and receive LEDs for each communication port

Reader Inputs (2)

- ◆ Optically isolated signals
- ◆ Plug-in spring clamp terminal connections
- ◆ Reader may be located up to 1500' away using Belden 9773 cable or equivalent

Ethernet Control Port

- ◆ 10BASE-T Ethernet interface RJ45
- ◆ Client or server functionality selectable
- ◆ Selectable handshake/poll mode
- ◆ Link and Activity LEDs

Network Capability

- ◆ Configurable using standard web browser
- ◆ Built-in HTML based history viewer, for label reads, error codes, and diagnostic messages

- ◆ Supports DHCP for automatic IP address
- ◆ Supports time server for automatic on board chronometer synchronization
- ◆ Compatible with SEA-8 and Twin message protocols

Serial Control Port

- ◆ Selectable RS232/485
- ◆ Selectable baud rate up to 57.6K baud
- ◆ Selectable odd parity/no parity
- ◆ Selectable handshake/poll mode
- ◆ Switches for line termination and passive biasing
- ◆ Plug-in spring clamp connections

Auxiliary Serial Port

- ◆ RS232 (up to 50' point-to-point)
- ◆ Selectable baud rate up to 57.6K baud
- ◆ Selectable odd parity/no parity
- ◆ Control port monitoring of labels, errors, diagnostics, and messages in and out
- ◆ Configuration of T-netx set-up parameters
- ◆ Standard 9 pin D-shell connection

Environmental Specifications

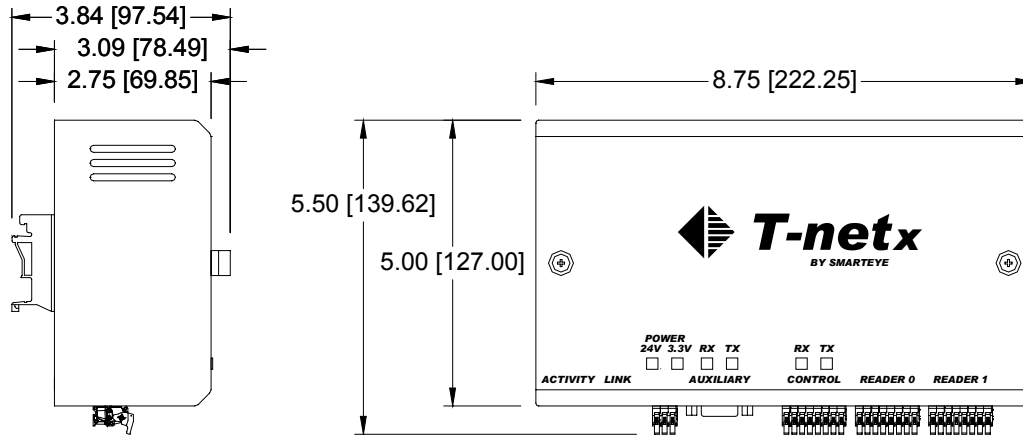
- ◆ Operating temperature: 0-60 °C
- ◆ Humidity: 95% non-condensing

Power Requirements

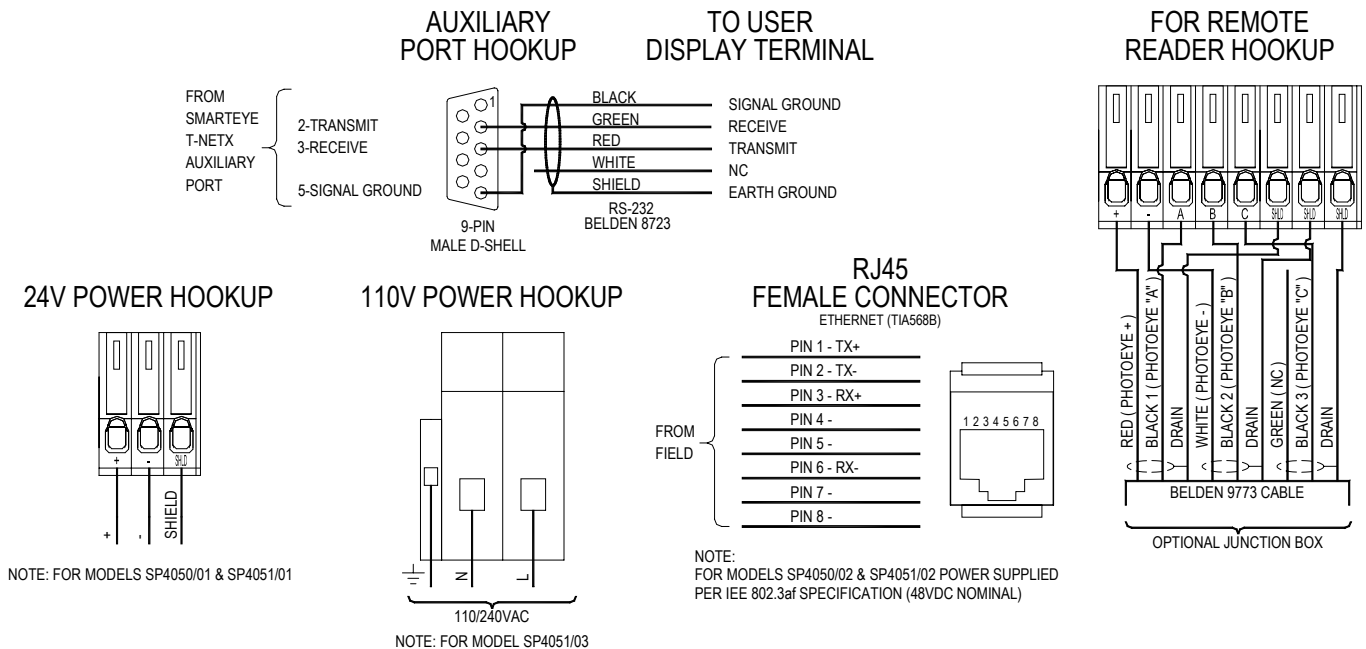
- ◆ 9W @ 24VDC
- ◆ Supports Power Over Ethernet (802.3af compliant)

Models Available

- ◆ SP4050/01 DIN rail mount, 24VDC power
- ◆ SP4050/02 DIN rail mount, 802.3af PoE
- ◆ SP4051/01 NEMA-12, 24VDC power
- ◆ SP4051/02 NEMA-12, 802.3af PoE
- ◆ SP4051/03 NEMA-12, 110/220VAC



Electrical Interconnections



NOTE: FOR MODELS SP4050/01 & SP4051/01

NOTE: FOR MODEL SP4051/03

NOTE: FOR MODELS SP4050/02 & SP4051/02 POWER SUPPLIED PER IEE 802.3af SPECIFICATION (48VDC NOMINAL)